



IB9369

Bullet Network Camera

2MP • Smart IR • 30M IR • Smart Stream III • Smart Motion Detection

- H.265 Compression Technology
- 30 fps @ 1920x1080
- Smart Stream III to Optimize Bandwidth Efficiency
- Built-in IR Illuminators, Effective up to 30 Meters
- Smart IR Technology to Avoid Overexposure
- Smart Motion Detection to Reduce False Alarms
- Built-in MicroSD/SDHC/SDXC Card Slot for On-board Storage
- Weather-proof IP66-rated and Vandal-proof IK10-rated Housing



Technical Specifications

System Information

Model	IB9369 (2.8mm) IB9369 (3.6mm)
CPU	Multimedia SoC (System-on-Chip)
Flash	256 MB
RAM	256 MB

Camera Features

Image Sensor	1/3.1" Progressive CMOS
Max. Resolution	1920x1080 (2MP)
Lens Type	Fixed-focal
Focal Length	IB9369(2.8mm): f = 2.8 mm IB9369(3.6mm): f = 3.6 mm
Aperture	IB9369(2.8mm): F2.0 IB9369(3.6mm): F2.2
Iris Type	Fixed iris
Field of View	IB9369(2.8mm): 118° (Horizontal) 65° (Vertical) 140° (Diagonal) IB9369(3.6mm): 90° (Horizontal) 49° (Vertical) 106° (Diagonal)
Shutter Time	1/5 sec. to 1/32,000 sec.
WDR Technology	WDR Enhanced
Day/Night	Yes
Removable IR-cut Filter	Yes
IR Illuminators	Built-in IR illuminators, effective up to 30 meters with Smart IR, IR LED*1
Minimum Illumination	IB9369(2.8mm): 0.08 lux @ F2.0 (Color) <0.005 lux @ F2.0 (B/W) 0 lux with IR illumination on IB9369(3.6mm): 0.1 lux @ F2.2 (Color) <0.005 lux @ F2.2 (B/W) 0 lux with IR illumination on
Tilt Range	90°
Rotation Range	180°
Pan/Tilt/Zoom Functionalities	ePTZ: 18x digital zoom (4x on IE plug-in, 4.5x built-in)
Storage	Seamless Recording to MicroSD/SDHC/SDXC card and recording to network-attached storage (NAS)

Video

Video Compression	H.265, H.264, MJPEG
Maximum Frame Rate	30 fps @ 1920x1080
Maximum Streams	2 video streams (Up to 7 configurable profiles)
S/N Ratio	59 dB
Dynamic Range	WDR Support
Video Streaming	Adjustable resolution, quality and bit rate control, Smart Stream III
Image Settings	General settings: video title and time stamp overlay, video orientation (flip, mirror, rotation), day/night settings; Illuminators: illuminators, anti-overexposure; Image settings: white balance, image adjustment (brightness, contrast, saturation, sharpness, gamma curve), defog, 3DNR; Exposure: BLC, HLC, exposure control (exposure level, exposure time, gain control), AE speed adjustment, WDR; Privacy mask; Scheduled profile settings; Pixel calculator

Network

Users	Live viewing for up to 10 clients
-------	-----------------------------------

Security	Access list, digest authentication, HTTPS, IEEE 802.1x, password protection, signed firmware, user access log, user account management
Protocols	802.1X, ARP, Bonjour, CIFS/SMB, DDNS, DHCP, DNS, FTP, HTTP, HTTPS, ICMP, IGMPv3, IPv4, IPv6, NTP, PPPoE, QoS (CoS/DSCP), RTSP/RTP/RTCP, SMTP, SNMP, SSL, TCP/IP, TLS 1.2, UDP, UPnP
Interface	10 Base-T/100 Base-TX Ethernet (RJ-45) *It is highly recommended to use standard CAT5e & CAT6 cables which are compliant with the 3P/ETL standard.
ONVIF	Profile G, S, T supported, specification available at www.onvif.org

Solution Integration

Smart Motion Detection	Five-window video motion detection, people detection, time filter
VADP Package	Smart Motion Detection

Alarm and Event

Event Trigger	Camera tampering detection, Manual trigger, Motion detection, Periodical trigger, Recording notification, SD card life expectancy, System boot
Event Action	Event notification via email, HTTP, FTP, SFTP, NAS server, SD card, push notification File upload via email, HTTP, FTP, SFTP, NAS server, SD card

General

Connectors	RJ-45 cable connector for 10/100Mbps Network/PoE connection
LED Indicator	System power and status indicator
Power Input	IEEE 802.3af Class 0 PoE, DC 12V (Simultaneous Power Redundancy Supported)
Power Consumption	PoE: Max. 6.49W/4W (IR on/off) DC 12V: Max. 5.1W/3.4W (IR on/off)
Dimensions	Ø 91.1 x 181.5 mm
Weight	671 g
Certifications	EMC: CE (EN55032 Class A, EN55035), FCC (FCC Part 15 Subpart B Class A), ICES-003 issue 7, RCM (AS/NZS CISPR 32 Class A), VCCI (VCCI-CISPR 32 Class A); Safety: UL (UL 62368-1), CB (IEC/EN 62368-1, IEC/EN 62471, IEC/EN 60950-22); IA: BIS (IS 13252); BSMI; Environment: IK10 (IEC 62262), IP66 (IEC 60529)
Operating Temperature	Starting Temperature: -30°C ~ 50°C (-22°F ~ 122°F) Working Temperature: -30°C ~ 55°C (-22°F ~ 131°F) (IR off) -30°C ~ 50°C (-22°F ~ 122°F) (IR on)
Humidity	95% RH (non-condensing)
Warranty	36 months

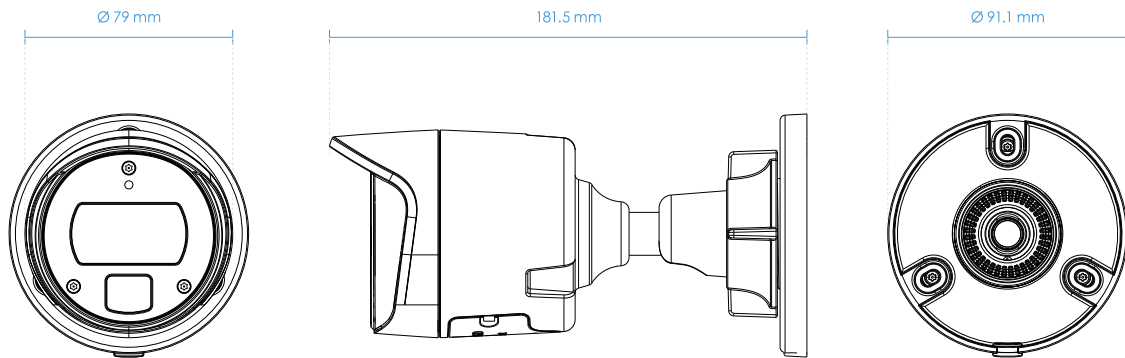
System Requirements

Operating System	Microsoft Windows 10/8/7 Mac 10.12 (Chrome only)
Web Browser	Chrome 58.0 or above Internet Explorer 10/11
Other Players	VLC: 1.1.11 or above

Included Accessories

Packing Contents	Quick installation guide, alignment sticker, screw pack, cable gland
------------------	--

Dimensions



Compatible Accessories

Mounting Kits



AM-312
Pole Mount Adapter

Mounting Kits



AM-412
Corner Mount Adapter

Mounting Kits



AM-523
Adapting Plate

Mounting Kits



AM-71C
Outdoor Junction Box